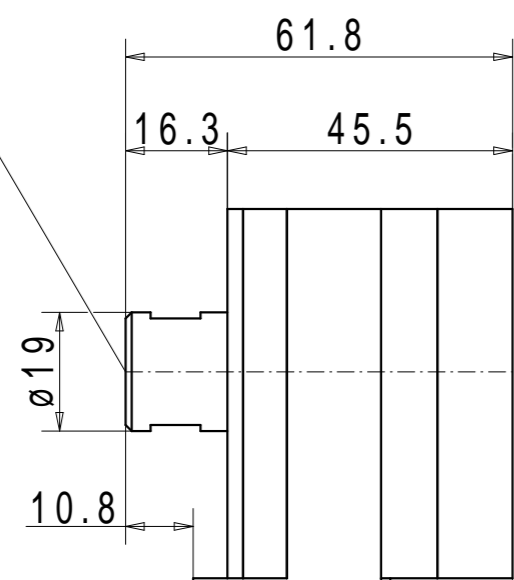


Collet receptacle Type "J"



Collet receptacle Type "J"
 $\phi 1 \text{ mm} - \text{max. } \phi 8 \text{ mm}$

